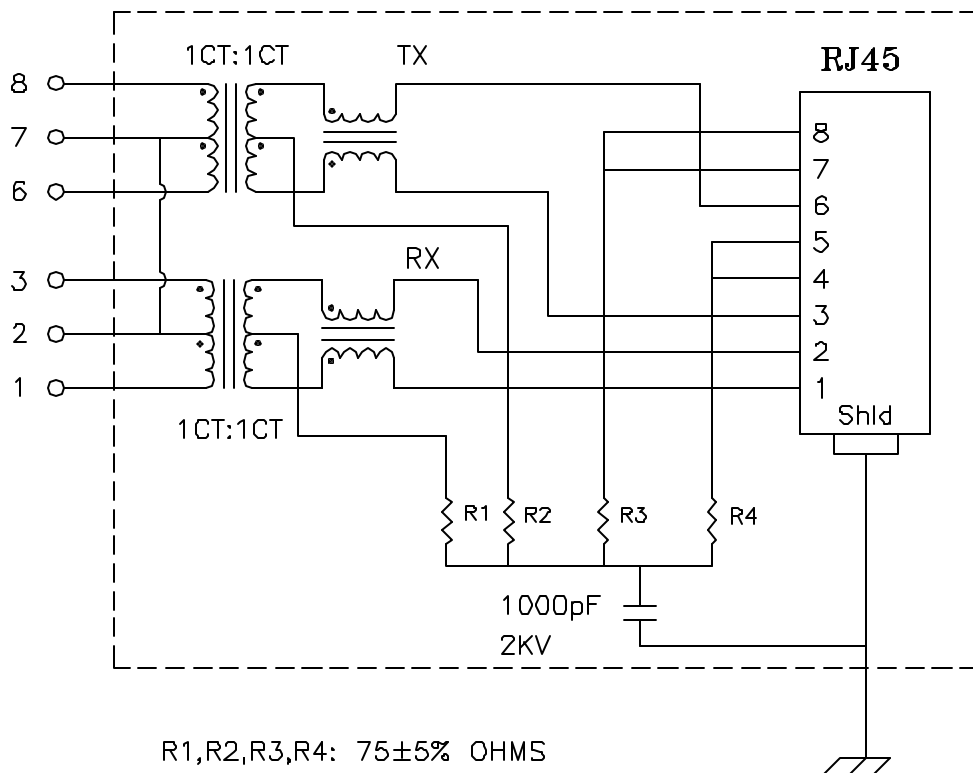


**Schematic:**



**Electrical Specifications: @25°C**

Isolation Voltage: 1500 Vrms (Input to Output)  
 Turns Ratio: TX 1CT:1CT ±3% RX 1CT:1CT ±3%  
 CABLE SIDE OCL: 350uH Minimum @100KHz 100mV 8mADC  
 Insertion Loss (300KHz-100MHz): -1.0dB Maximum  
 Return Loss: @30MHz -20dB Minimum  
 @80MHz -15dB Typ

**Notes:**

1. Solderability: Leads shall meet MIL-STD-202, Method 208D for solderability.
2. Flammability: UL94V-0
3. ASTM oxygen index: > 28%
4. Insulation System: Class F 155°C. UL file E151556
5. Operating Temperature Range: All listed parameters are to be within tolerance from -40°C to +85°C
6. Storage Temperature Range: -55°C to +125°C
7. Aqueous wash compatible
8. Electrical and mechanical specifications 100% tested
9. RoHS Compliant Component

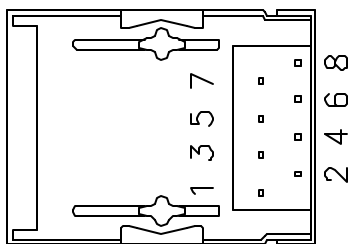
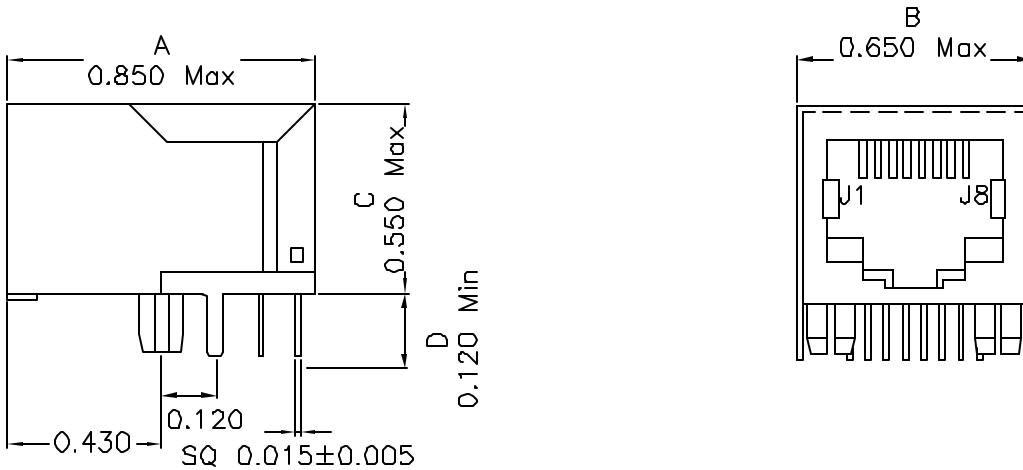
DOC. REV: A/1

<b>XFMRs Inc.</b> www.XFMRs.com		Title: <b>SINGLE PORT COMBO</b>	
UNLESS OTHERWISE SPECIFIED TOLERANCES: .xxx ±0.010		P/N: XFATM6X-COMBO1-2MS	REV. A
Dimensions in Inch	DWN.	罗振江	Feb-13-06
	CHK.	廖玉坤	Feb-13-06
SHEET 1 OF 2	APP.	BW	Feb-13-06

**PROPRIETARY:**

Document is the property of XFMRs Group & is not allowed to be duplicated without authorization.

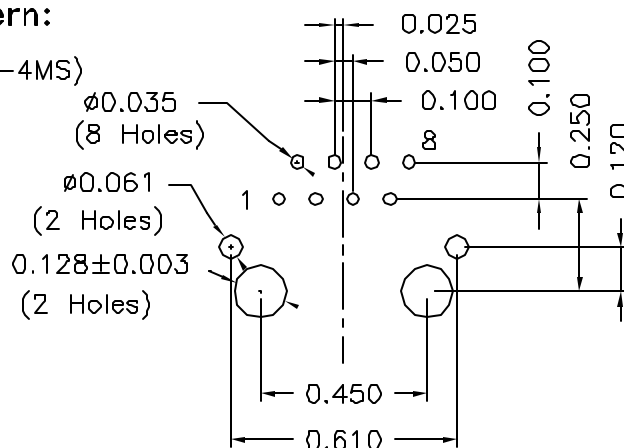
### Mechanical Dimensions:



(BOTTOM VIEW)

### Mounting Pattern:

(FOR COMBO1-4MS)  
(COMP SIDE)



DOC. REV: A/1

<b>XFMRS Inc</b> www.XFMRS.com	Title: Mechanical Dimensions For COMBO1-2MS Series		
	UNLESS OTHERWISE SPECIFIED TOLERANCES: .xxx ±0.010 Dimensions in Inch	P/N: XFATM6X-COMBO1-2MS	REV. A
SHEET 2 OF 2			

**PROPRIETARY:**

Document is the property of XFMRS Group & is not allowed to be duplicated without authorization.